



FEBRUARY 24 2015

TSB#C1501 Instructions for the Elite Flue Assembly Set Screw

SUBJECT: Elite boiler high limit flue switch.

PRODUCTS: All Elite gas fired boilers up to Rev 7.

NOTE: DOES NOT apply to REV 7 or later versions. Any boiler starting with serial numbers 080114 are not affected.

PROBLEM: HTP has identified a situation that affects the longevity and operation of the high limit flue switch on our earlier versions of the Elite boilers. The brass high limit switch can come in contact with the flue condensate causing corrosion. As a result there are some cases where condensate has then dripped onto the field connection board, shorting across the return sensor wiring tripping the F03 error code.

SOLUTION: A repair / replacement kit part # 7450P-145 has been created to field repair the situation. Details on how to make this field repair are included on the following page. For additional questions or information please feel free to contact our technical support dept.

Regards,

Chris Bernier

HTP Technical Field Manager



Advanced Heating and Hot Water Systems

P.O. Box 429 . 120 Braley Road . East Freetown, MA 02717 . 508-763-8071 . Fax: 508-763-3769

Instructions for the Elite Flue Assembly Set Screw

Part # 7450P-145

Included Components

Two (2) .7 X 4mm Set Screws

Tools Required (Not Included)

2mm Allen Key

Red High Temperature RTV Silicone Sealant

Installation Instructions

1. Turn boiler off before proceeding with the installation.
2. Coat the threads of the Set Screw with the Red High Temperature RTV Silicone Sealant. See Figure 1.
3. Use the 2mm Allen Key to screw the Set Screw into the flue assembly until it is flush with the top of the fitting. Then screw the Set Screw into the fitting seven full revolutions to a depth of 1/4". See Figures 2 and 3.

NOTE: The Set Screw does not bottom out, and will fall into the flue assembly. Take care to avoid doing this and losing the screw. An additional screw has been included in this kit in case one is lost.

4. Place the exhaust flue assembly bracket over the ECO hole.
5. Screw the ECO into the hole on top of the set screw. See Figure 4.
6. Restore all wiring to the flue assembly and boiler.
7. Restore power to the boiler and observe operation. Check for combustion leaks with a soapy solution.



⚠ WARNING	
Breathing Hazard - Carbon Monoxide Gas	
	<ul style="list-style-type: none"> • Do not operate heater if flood damaged. • Install vent system in accordance with local codes and manufacturers installation instructions. • Do not obstruct heater air intake or exhaust. Support all vent piping per manufacturers installation instructions. • Do not place chemical vapor emitting products near unit. • According to NFPA 720, carbon monoxide detectors should be installed outside each sleeping area. • Never operate the heater unless it is vented to the outdoors. • Analyze the entire vent system to make sure that condensate will not become trapped in a section of vent pipe and therefore reduce the open cross sectional area of the vent.
Breathing carbon monoxide can cause brain damage or death. Always read and understand instruction manual.	
<small>LP-304-FR</small>	

⚠ WARNING
Failure to check for combustion leaks could result in property damage, serious personal injury, or death.

Figure 1 - Set Screw Coated with RTV Sealant

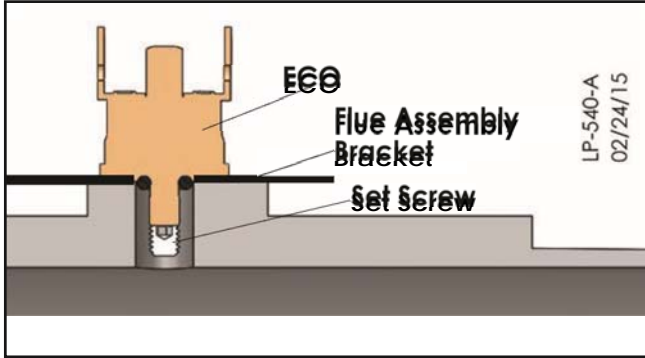


Figure 3 - Cross Section of ECO Installed on Top of Flue Assembly Bracket and Set Screw



Figure 2 - Installing the Set Screw to 1/4" Depth



Figure 4 - ECO Installed on Top of the Set Screw

For Further Assistance, Contact Technical Support at
1-800-323-9651 or techsupport@htproducts.com